

Specification

BX-SW2 radar liquid level sensor



CATALOG

Instruction 3

Function 3

Measurement 3

Installation 4

Connection 7

Technical specifications 8

CONTACT US 9

Instruction

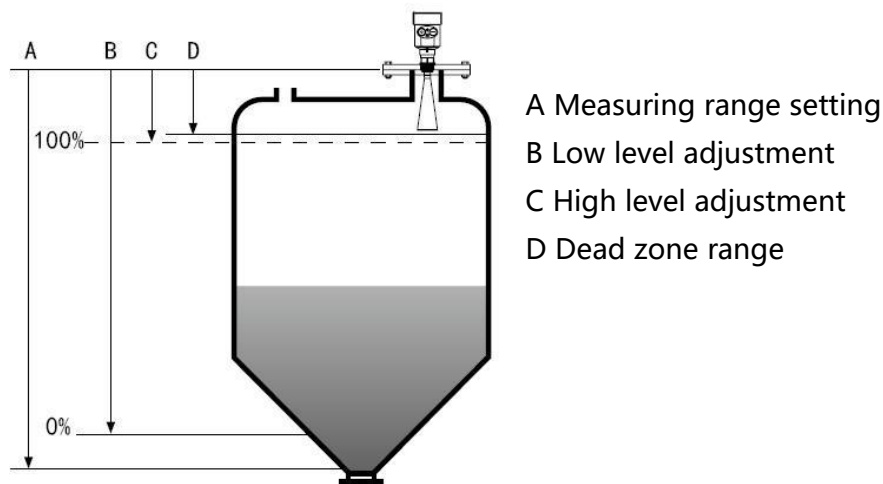
BX-SW2 radar liquid level sensor has more capacity of resisting disturbance, it is more reliable and accurate; Maximum measure range is 30M; It adopts pulse working mode, also, transmitted power of radar level instrument is very low, without hurt for people. So, it is widely used in river, lake and shoal.

Function

- ◆ Simple construction and easy to install;
- ◆ Adopts RS485 communication, standard ModBus-RTU communication protocol, very stable;
- ◆ Wave beam is small, very concentrated.
- ◆ Small size, it' s easy to install and add dust cover, etc.
- ◆ Only about 1KG, convenient to install;
- ◆ Maximum measure range is 30M;
- ◆ It adopts pulse working mode, also, transmitted power of radar level instrument is very low, without hurt for people.

Measurement

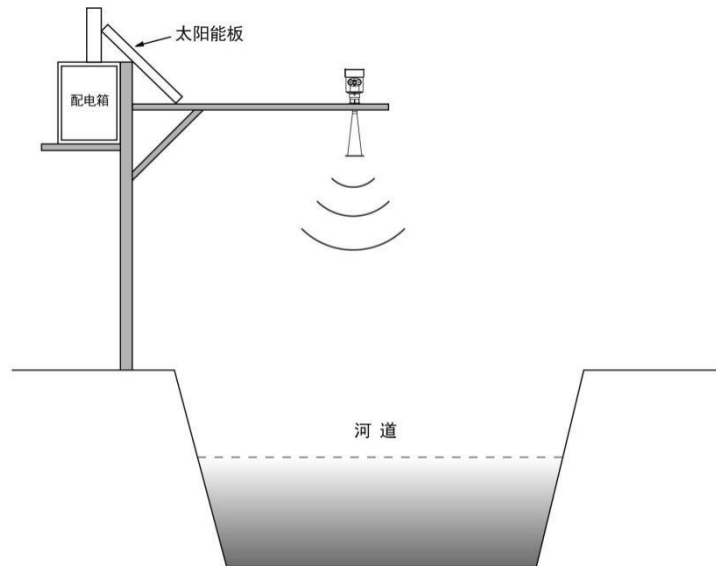
Radar liquid level instrument, this instrument adopts a very special demodulation technology, it can correctly identify the time interval between transmitting pulse and receiving pulse, as to count the distance between antenna to medium surface.



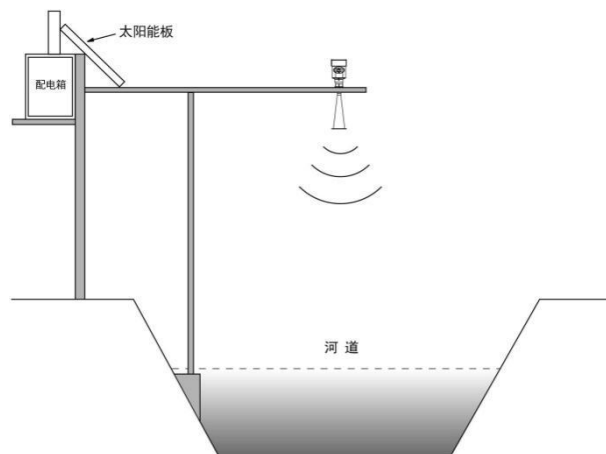
Base surface of measurement: bottom of screw thread or seal surface of flange

Attention: When use radar liquid level instrument, please ensure that the highest liquid level should not enter into dead zone (check part D)

Installation



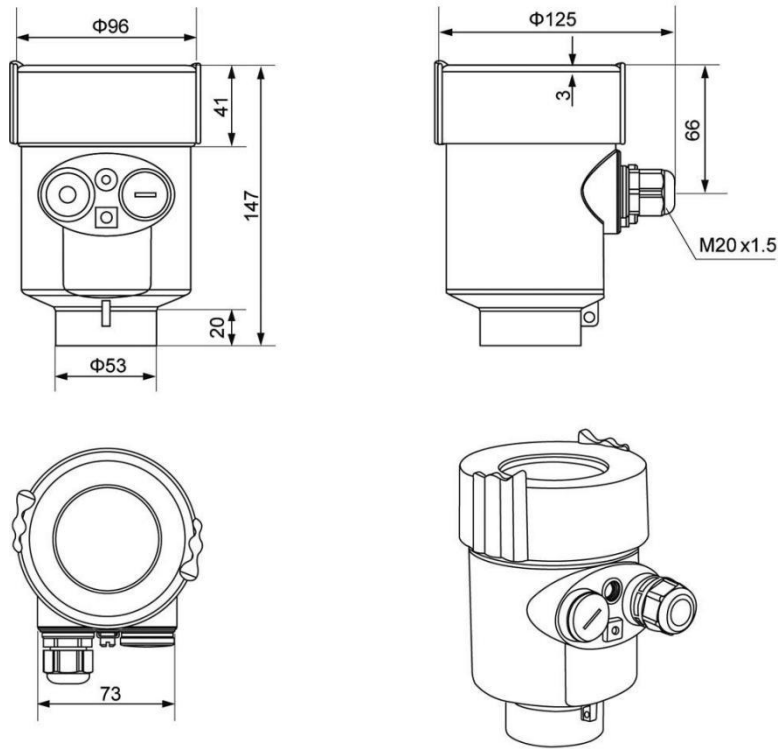
Installation of radar and holder



Installation of radar and holder

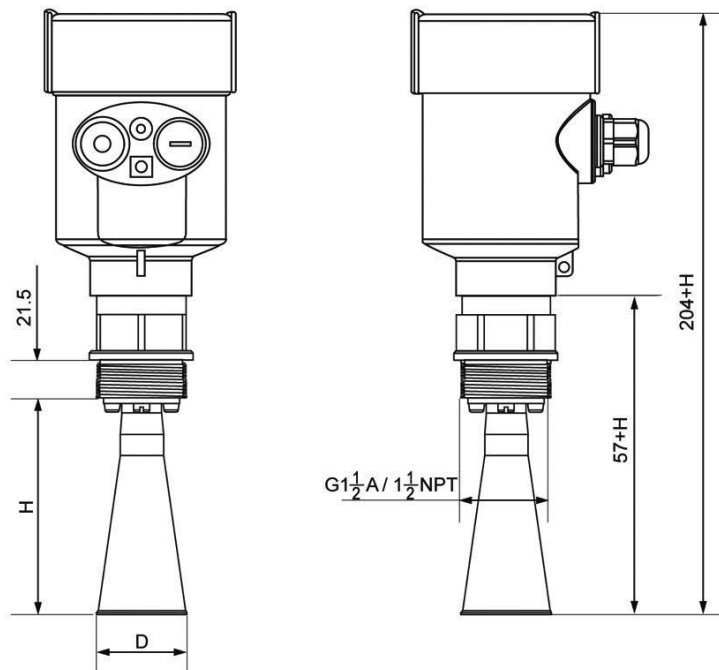
Attention: There should be no barriers in transmitting area. Please avoid barriers when you install. Also, the highest liquid level should not be in measure dead zone; instrument should connect with ground, add anti-thunder protection; Avoid sunshine in outdoor, and should be waterproof.

Shell size:



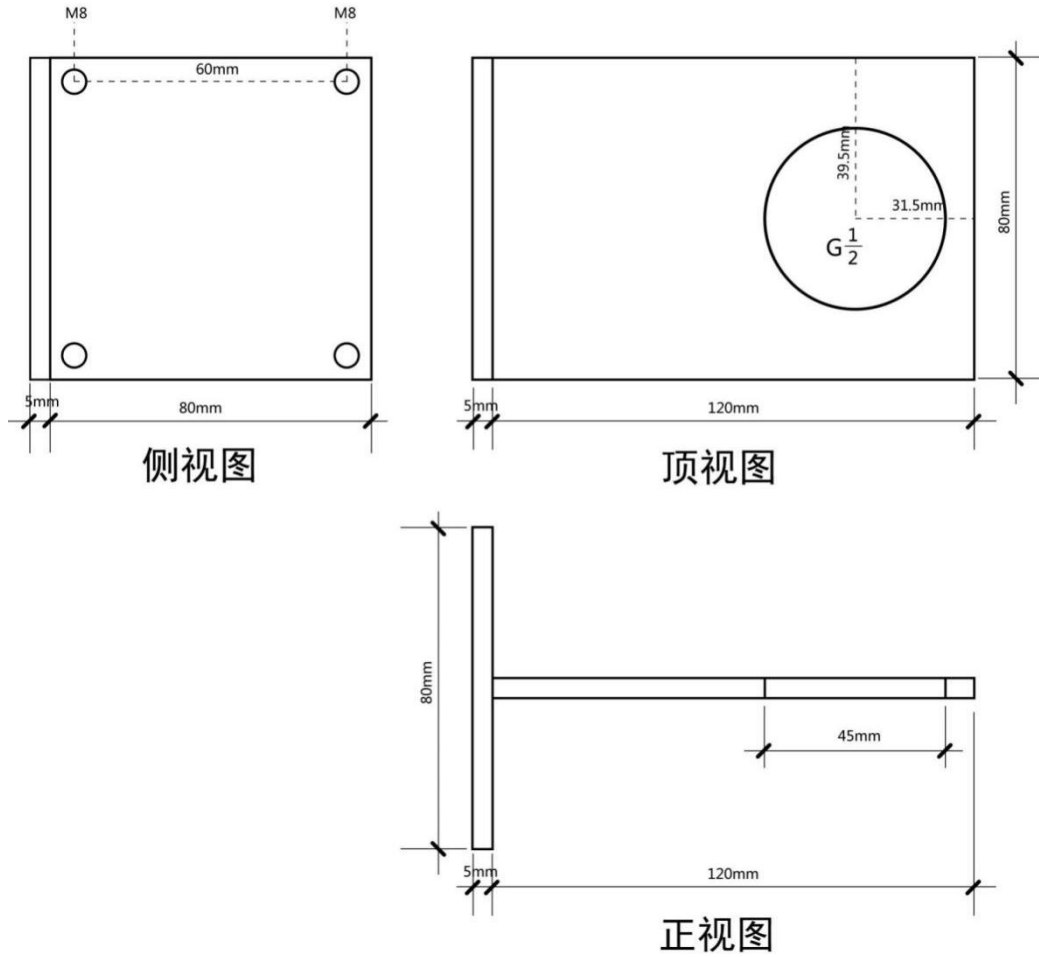
Appearance size:

法兰	喇叭口直径D	喇叭高度H
DN50	$\Phi 46$	140
DN80	$\Phi 76$	227
DN100	$\Phi 96$	288



Connecting holder size:

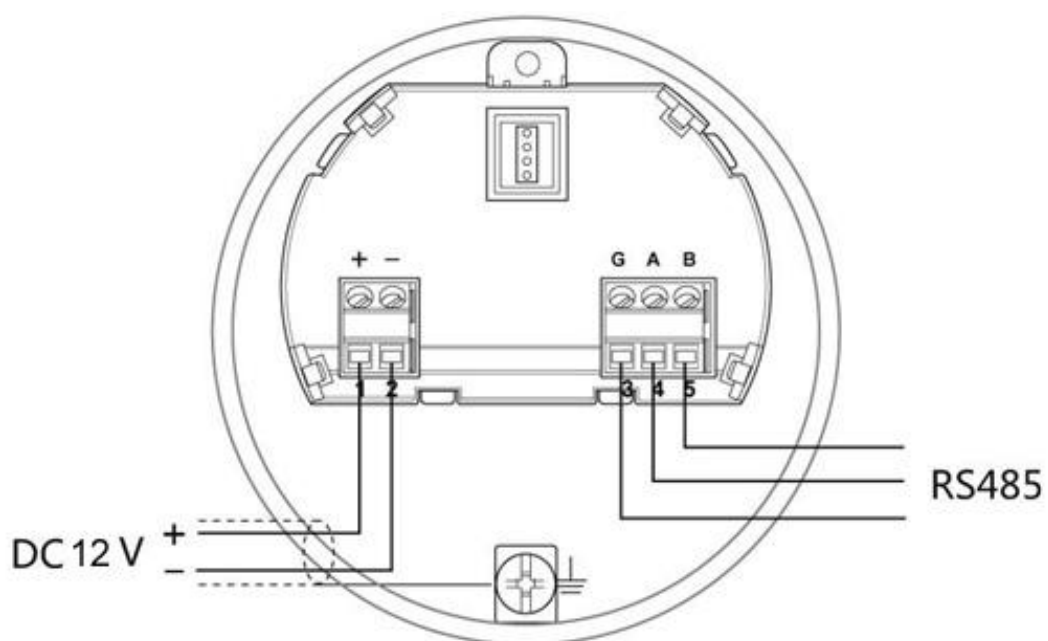
- 1) Standard holder connection
- 2) Holder connection with waterproof cover
- 3) Connection of screw thread G1½"A
- 4) Connection of G1½ installing pedestal



Connection

RS485/Modbus: Power supply and Modbus signal cables are separated, each one use a shielded wire. For details, please check technical data.

- 1 connect DC12V+
- 2 connect DC12V-
- 3 connect GND
- 4 connect RS485 (A)
- 5 connect RS485 (B)



Technical specifications

Parameters	Specification
Application	River, lake, shoal
Measure range	0-30m
Dead zone	30cm
Measure accuracy	±3mm
Working voltage	DC 12V 2A
Respond	2s
Rated power	< 0.75W
Output	RS485
Working temperature	-40 ~ 70°C

CONTACT US

Shanghai ONBON Technology Co.,ltd (Headquarters)

Address: 7 Floor, Tower 88, 1199#, North Qinzhou Road, Xuhui District, Shanghai City,

China

Tel Phone: 086-21-64955136

Fax: 086-21-64955136

Website: www.onbonbx.com

ONBON (Jiangsu) Optoelectronic Industrial Co.,LTD

Address: 1299#, Fuchun Jiang Road, Kunshan City, Jiangsu Province, China

Sales Contacts

Tel: 0086-15921814956 0086-15800379719

Email: onbon@onbonbx.com

Second Development

Tel: 0512-66589212

Email: dev@onbonbx.com

iLEDCloud

Website: <http://www.iledcloud.com/>